



Luci Mushitora XIA

User's Manual

Luci Pte. Ltd. Singapore World HQ
 52A Tanjong Pagar Road, Singapore 088473
 Tel:+65-6291-2410 URL: <https://www.luci.co.jp/en/>
 E-mail: info@luci.co.jp

Luci Co.,Ltd. Tokyo Japan Regional HQ
 Akasaka Bldg. 4F, 4-13-13, Akasaka, Minato-ku,
 Tokyo 107-0052, Japan
 Tel:+81-3-6327-7409 Fax:+81-3-6327-7410

Please read this manual carefully before operating this product and retain it for future reference.
 【This product is for indoor use only】

Safety instructions

Warning WARNING is indicative of a hazardous situation, which if not avoided, could result in death or serious injury.

- Do not handle the product (especially the USB port area) with wet hands, as this may result in electric shock, fire or damage.
- Install the product at places where it can withstand the product's weight as stated in this manual. If the product is not installed correctly, it may drop.
- Make sure the connection between the USB cable and the fixture's port is connected securely. If not, it may cause electric shock or fire.
- Do not attempt to modify and disassemble this product as it may result in it dropping, an electric shock or fire.
- This product cannot be placed at a location with lots of corrosive gas such as hot springs, near a crater, factories with chemicals and chemical fertilizers. When using the product at such a place, it may result in deterioration, discoloration or insulation failure.
- Do not place this product at locations which are not stable or with plenty of vibration as it could result in it dropping.
- Do not place this product in an area with high humidity, high temperature, where it is exposed to rain/water, excessive dust, acid and oil. This may result in discoloration, electric shock or fire.
- Do not place this product near any heat sources such as stoves and other devices that produce heat. This may result in a fire outbreak.
- Please keep the product away from pets and children as it may cause serious injury, burns or electrocution.
- Do not insert fingers, any metallic or flammable objects into the product. This may result in fire or electric shocks.
- Do not block or cover the product with cloth, paper or other materials (Especially flammable ones). In addition, do not use this product when the adhesive sheet is touching the UV light-emitting unit. These may cause a fire.
- Do not insert water or foreign objects into this apparatus and do not splash water on this product. Otherwise, it may result in an electric shock, fire or malfunction.
- Do not stare at the light-emitting unit as it may cause optic damage. Do not expose skin to the UV light for a long period as it may cause inflammation of the skin. Should you experience any abnormalities, discontinue use immediately and consult a doctor.
- Please unplug the cable when replacing the light-emitting unit or the adhesive sheet or while cleaning the product to prevent any electric shocks or burns.
- If you feel that the product is behaving abnormally or if there are suspicious odors being emitted from the fixture, unplug the product immediately. This may result in electric shock or fire.

Caution CAUTION is indicative of a potentially hazardous situation, which if not avoided, may result in minor to moderate personal injuries and/or property damage.

- Do not wipe or spray this product with detergents, chemicals, pesticides or other foreign chemicals as it may cause damage or electric shock.
- As the product emits lights which contains ultraviolet rays, it may cause discoloration or deterioration of the surface exposed to the light. Please understand this beforehand.
- Do not touch the adhesive sheet of the insect trap. If you do touch it, wash the contacted area of your skin thoroughly with soap or detergent.
- Do not place the product under direct sunlight. It may cause malfunction, deterioration or discoloration.
- Do not give any impact shock, damage, scratch on the product, press the product strongly or drop the product. Handle the product with care (Especially be careful when replacing or cleaning consumable parts.) to prevent damages. If the product is damaged it could potentially cause injury.
- Do not touch the product while it is lighted or immediately after it is turned off as it will be hot and could result in burns.
- Do not place the product near plants as it may cause the leaves to die or cause growth disorders.

Things to take note off

- Store the adhesive sheet of the insect trap at room temperature and away from direct sunlight. Avoid store it in places with high temperature and humidity.
- The insect trap sheet may be partially discolored by light and it does not affect performance of the insect trap.
- Only insects that have the same visual characteristics are attracted to the insect trap.
- Not suitable for places near open windows and doors as it may result in insects being attracted from the outside.
- The best place for installation would be places not exposed to the outside environment.
- If possible, try to avoid placing the product at the top of tables or on chairs as it will attract insects.
- Avoid places which are exposed to winds or with strong bursts of air (such directly under air conditioners or fans). It will be hard for insects to approach and dead insects may be blown away.
- Make sure to connect the USB cable and USB connector securely.
- Handle the product carefully as a strong magnet is attached to the product.
- Keep items which contain electronic data storage components (floppy disks, magnetic cards, prepaid cards, tickets, MO, MD, etc.) away from the magnets. Otherwise, it may cause corruption of records or destruction of the items.
- Keep magnets away from people with electronic medical devices such as pacemakers and other electronic medical devices. It may impair the normal operation of the medical device.
- Keep magnets away from various electronic devices, video devices, and communication devices (speakers, CD / DVD players, cathode ray tubes, mobile phones, watches, etc.). It may interfere with their frequencies, affecting their normal operations which could lead to its failure.

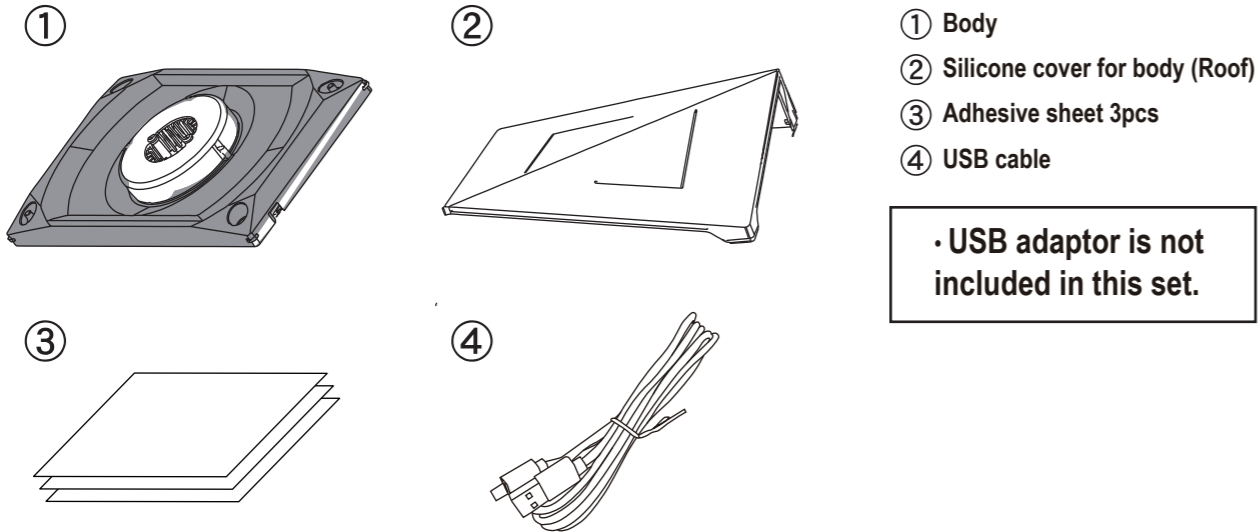
Specifications

Power consumption	: 2.5W
Input voltage	: DC 5V
Method of attracting insects	: UV LED
Operation environment	: Indoor
Size	: 208.7 mm x 124.4 mm x 47.6 mm
Weight	: 365 g
Attachment	: USB Cable (1.5m, Micro-B type), Adhesive sheet 3 pcs, Manual and warranty document
*Specification may be subject to change without announcement.	



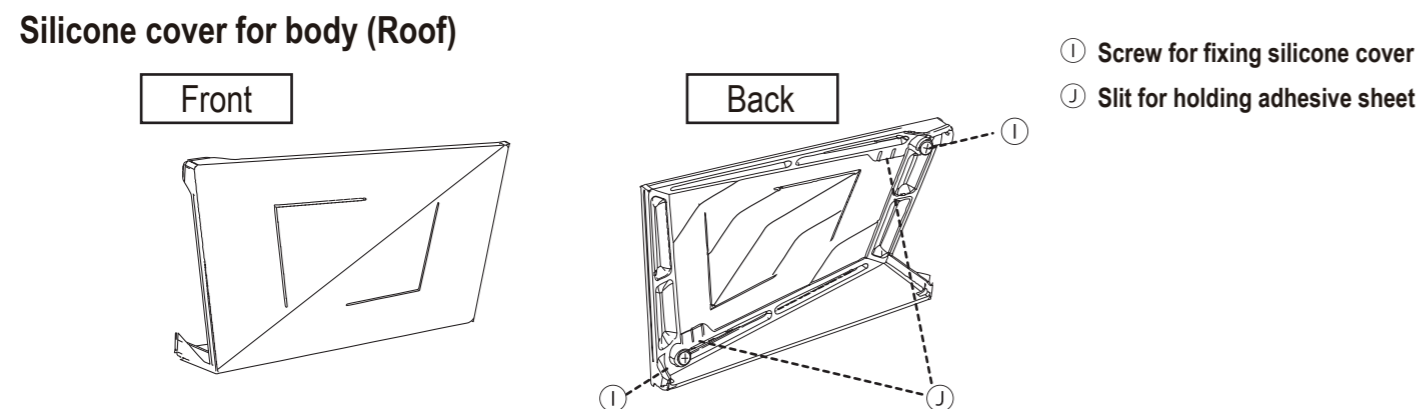
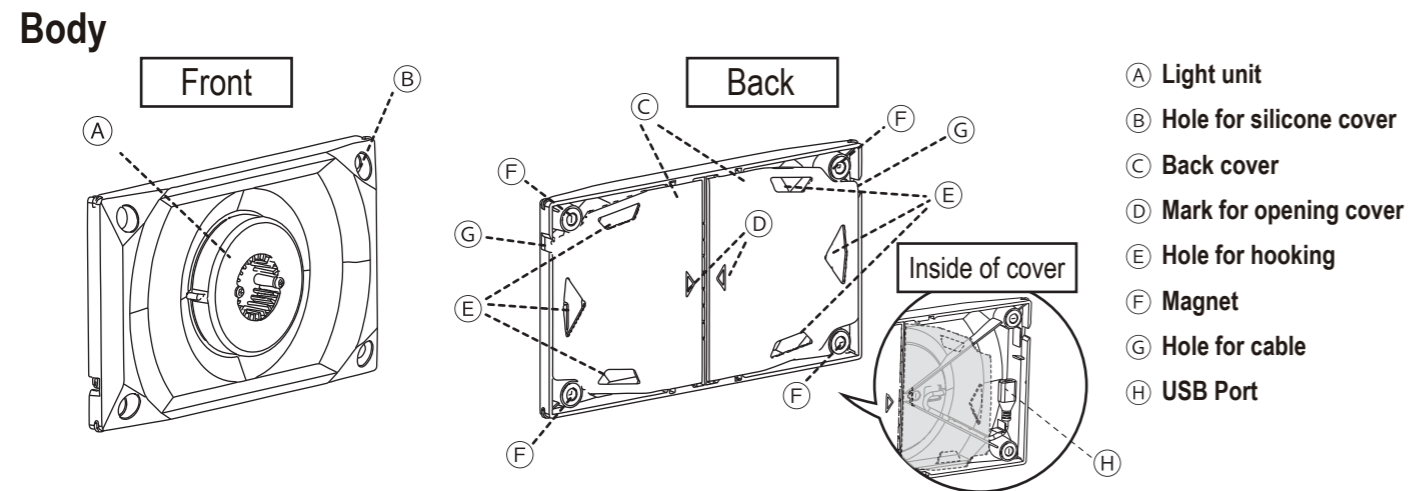
Please scan the QR code to watch our online manual video.
 Please take a look as the movie demonstrates how to properly install and use the product.

Contents



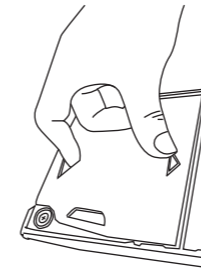
*Specification may be subject to change without announcement.

Parts name

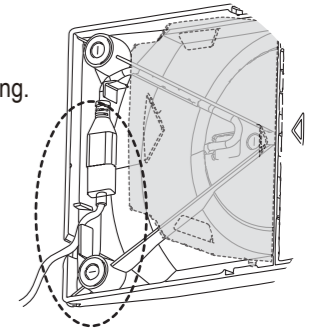


How to use

- ① Open ③ (Back cover).
Pull the cover by hooking finger at ⑤ (Hole for hanging on wall) and pushing ④ (Mark for opening cover).
- ② Connect the USB cable to ⑧ (USB port) on the body.

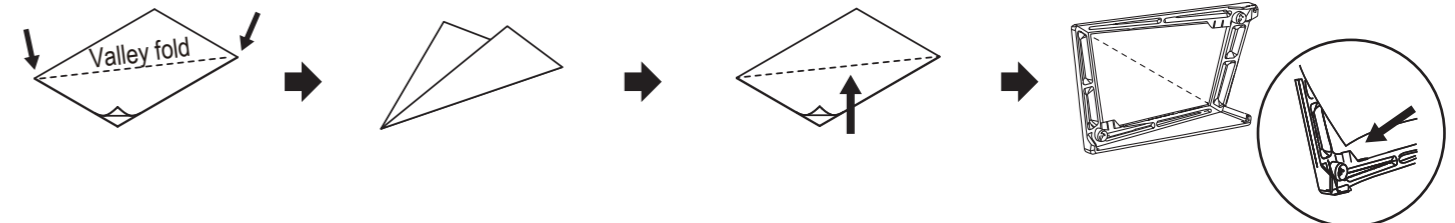


• To hold the cable in the body, install the cable as the right drawing.

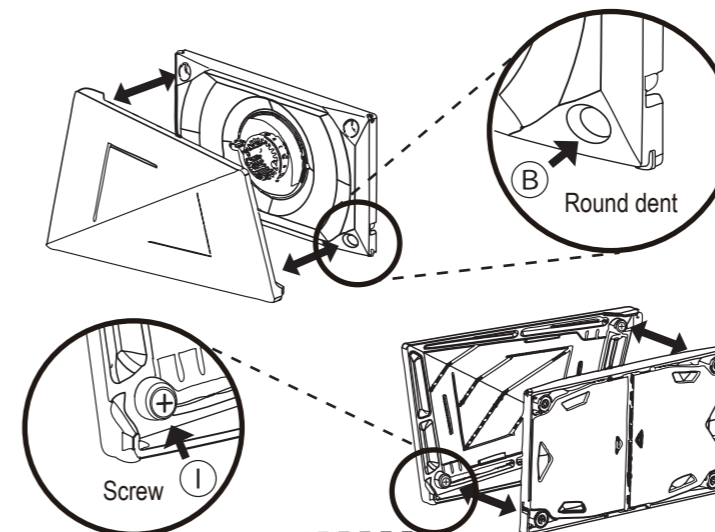


- ③ Prepare the adhesive sheet
- While holding the adhesive sheet, do not touch the area where there is adhesive material. If you do touch the adhesive area, wash the touched area thoroughly with soap or detergent.

- Place the adhesive sheet in the direction of the film facing up.
- Make a crease by diagonally folding in half along with the line connecting the two corners as shown in a left figure.
- Remove the film from the adhesive sheet
- Slot the corners of the adhesive sheets into ④ (Slit for holding adhesive sheet) at the backside of silicone cover.

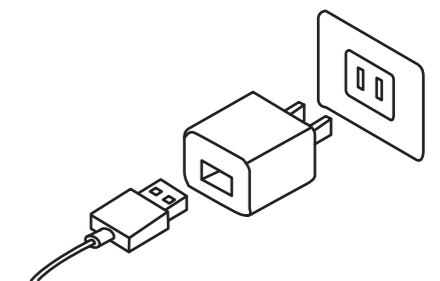


- ④ Attach the silicone cover to the body.
Insert ① (slot with the screw) to ② (slot within the body).



- ⑤ Connect USB cable to USB adaptor and plug into an outlet.

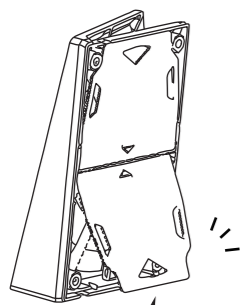
*USB adaptor is not included in this product.



How to use

The Luci Mushitora XIA can be installed in different manners.

If placed vertically

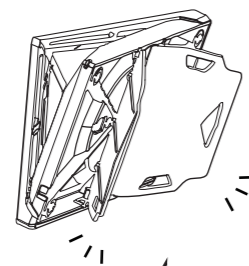


Open one side

To make it stand, please open the covers to its maximum (There should be a click sound when pulled out)

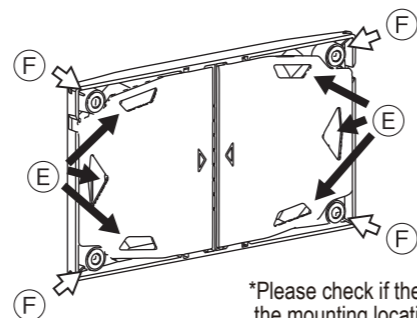
If placed horizontally

*The closed side of the silicone cover should be rested on the surface.



Open both sides

Surface mounted by hook or magnet



*Please check if the loading capacity of the mounting location is sufficient.

- If mounted on surface (wall mounting) by hook Place the holes E (Hole for hooking) on a hook.
- If mounted on surface (wall mounting) by magnets Stick the body on a metal surface using the attached magnets on the back of the body. To avoid any unexpected drops, do make sure the body is stuck on the surface firmly.

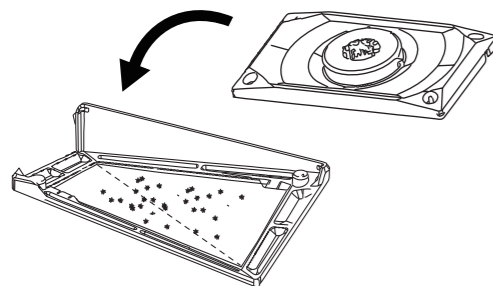
Caution Do not install the product facing downward by hook or magnet.

How to replace adhesive sheets

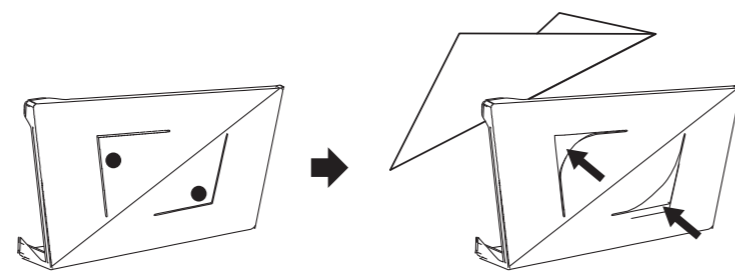
Caution

- When replacing adhesive sheet, make sure to do so after unplugging the cable. This may result in electric shocks or burns.
- When you hold the adhesive sheet, avoid touching the adhesive area.
- If you do touch the adhesive area, wash the touched area thoroughly with soap or detergent.

① Remove the silicone cover from the body.



② Push the slits on the silicone cover inwards and remove the adhesive sheet.



1. Place thumbs on ● parts

2. Turn the adhesive sheet side towards a trash box, push thumbs in and the adhesive sheet will drop from the silicone cover.

③ Install new adhesive sheet. Please refer to "How to use ③ (Prepare the adhesive sheet)" in this manual.

Caution When replacing the adhesive sheet, make sure to do so after unplugging the cable. This may result in electric shocks or burns.

- Use only the provided and recommended adhesive sheet (Item no.: LMT-S-D or LMT-S-D-3). If other adhesive sheets are used, the performance of the fixture will be impaired.

- As a guideline, we recommend replacing the adhesive sheet once per month. During periods where there are a lot of insects, replace the adhesive sheets frequently and when many insects are caught on the adhesive sheets, replace it as soon as possible. We recommend replacing the adhesive sheets once per month as the adhesive performance decreases over time due to dust particles, even when there are no insects caught.

*The used adhesive sheet can be thrown away as a general disposal item. However, do follow the way specified by the local government.

Maintenance and inspection

Caution While cleaning or providing maintenance to the product, make sure to do so after unplugging the cable. This may result in electric shocks or burns.

- This product contains electric components and has a lifetime. We recommend inspecting and replacing the product regularly as over time while it is active and lit up, it could result in the deterioration of its parts due to the heat emitted. Not only would the electrical efficacy decrease it could potentially be a safety issue.
- We recommend replacing the adhesive sheet once per month.
- If the product is used over long periods of time without inspection, smoke, fire or electric shock may occur.

Inspection method

- Check if the light-emitting unit lights up normally.
- Check if there are any abnormal smells, sound or heat.
- Check if there are cracks, tears or damages on any parts and its joints.

Cleaning method

- Wipe the light-emitting unit with a soft cloth.
- If the product is very dirty, wipe the contaminated area softly with a wet cloth first and wipe it with a dry cloth after.
- Do not wipe with volatile substances such as thinner or benzene. It may cause discoloration, deterioration or damage.

After service and warranty

- The warranty period is one year from the purchasing date.
- The warranty covers the insect trap and the attached cable.
- If the product is defective under our recommended use during the warranty period, we will replace the product.
- If the product emits smoke or any abnormal smells, remove the USB cable immediately and contact the dealer whom you purchased it from for assistance.
- If the product is discontinued, we guarantee and promise to provide the dedicated adhesive sheet for one year from the date of the announcement.

Warranty card (Please fill it in)

Purchasing date	/ /	Warranty period	One year from purchasing date	Model number	LMT-DD
Customer	Address				
	Name				
	E-mail address				
	TEL				
Dealer	Address			Dealer's chop	
	Dealer's name				
	TEL				
If the card is not completely filled or without any purchase proof, the warranty will be deemed invalid.					

Warranty Terms and Conditions

The warranty period is one year from the purchasing date.
 For warranty service, please keep the above warranty card and your receipt to validate proof of purchase.
 If the product is defective under our recommended use during the warranty period, we will replace the product.
 Customer is expected to deliver and collect their products to and from Luci's service center or office. This warranty does not cover any transportation costs.

Disclaimer

The warranty will be voided under the following conditions, and Luci reserves the right to refuse providing services and/or shall demand charges for any costs of servicing from the customer.

1. Failure or damage due to misuse, unwarranted repairs or modifications
2. Failure or damage due to dropping, impacts from other items dropping on it and mishandling
3. Failure or damage due to fire, salt damage, gas damage (corrosive gas, combustible gas, etc.), organic solvents such as paint liquid, earthquake, storm and flood damage, lightning damage, abnormal voltage or other natural disasters
4. Failure or damage due to placing the product in areas with high humidity
5. Failure or damage due to unsatisfactory installation
6. Failure and damage when connecting other fixtures
7. Decrease in light output, discoloration, deterioration or failure of the product due to ageing.
8. Failure or damage when the parts connected to the adaptor or the connectors of the terminals are not insulated
9. Destruction and disappearance of magnetic data from electronic data storage devices
10. Failure or damage to an electronic medical or electronic device
11. Failure and damage caused by rats, dogs, cats or other animals or other insects if they damage the cable or the product
12. Without any purchased proof such as receipt or purchase invoice to authenticate date and place of purchase, and dealer's information and chop on the warranty card.
13. Damage or discolouration of interior material, facility or property due to light from the product.

*This warranty is valid only to the original purchaser of the product and effective only in the local area.
 *Our company will not be liable for any loss directly or indirectly caused by damage or failure of the product.